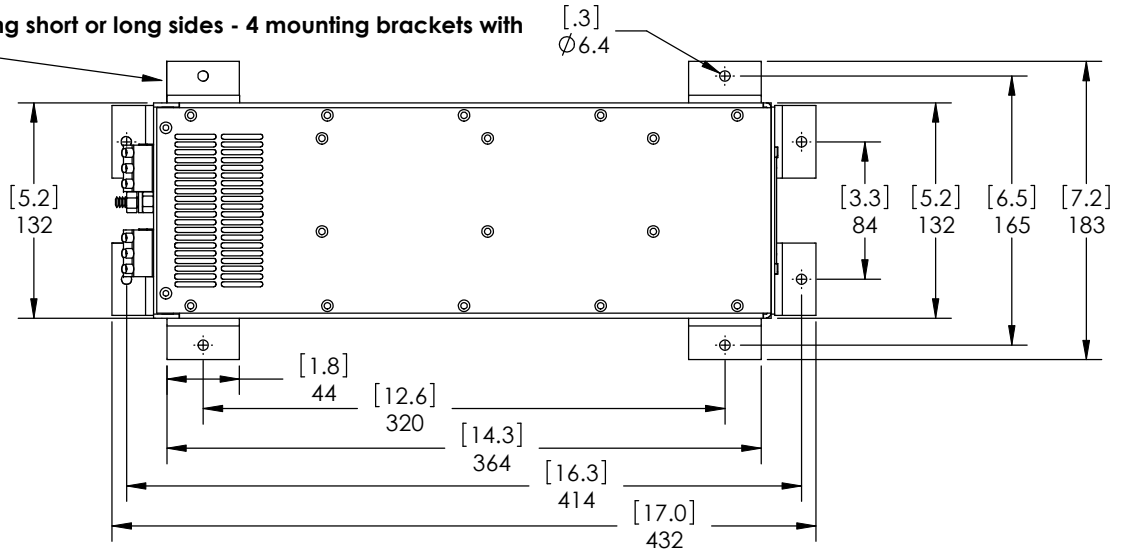
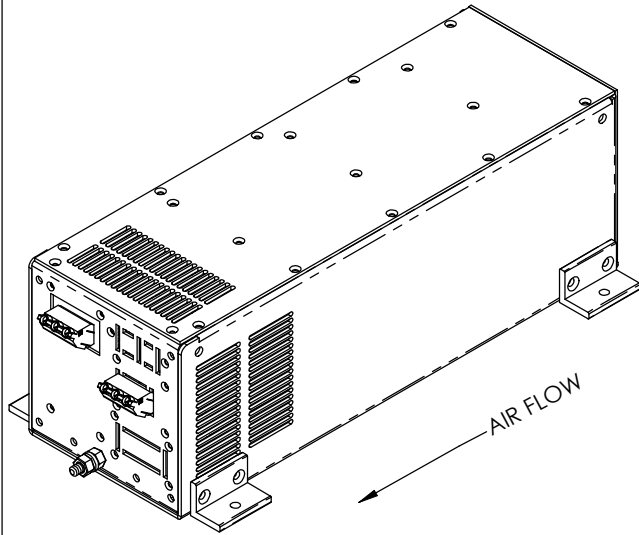
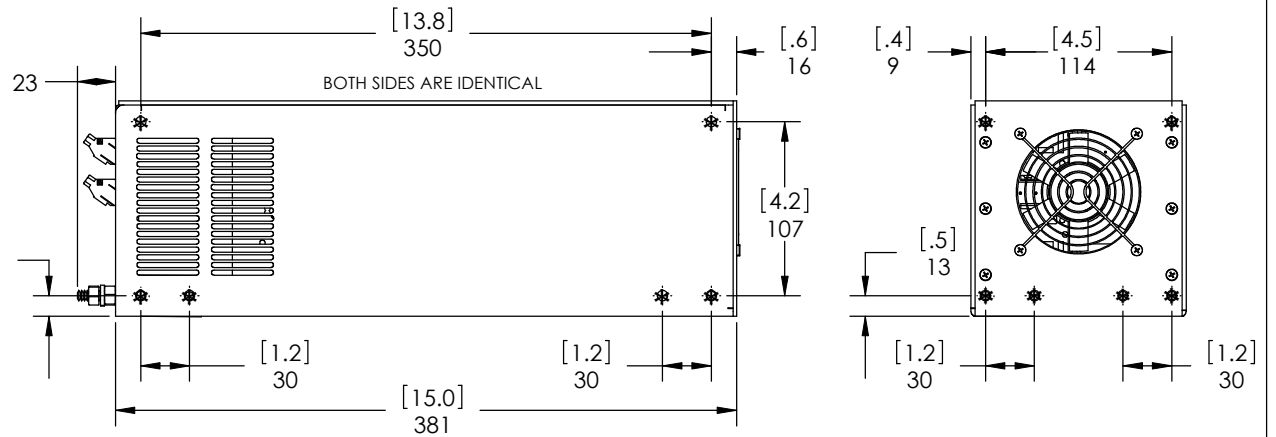
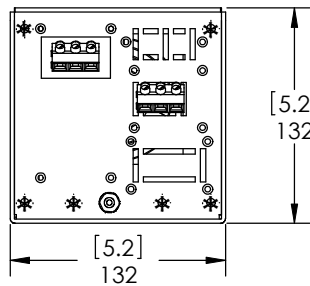


Mounting brackets can be installed along short or long sides - 4 mounting brackets with fasteners are provided with the unit



Type of Input / Output terminations are depends on application



M5 Threaded inserts for mounting brackets or for alternative mounting options
Maximum screw penetration is 10mm from outside surface of chassis

DIMENSIONS ARE IN MILLIMETERS
[INCHES] TOLERANCES ON
DECIMALS: XXX ± 0.2mm
XX ± 0.3mm
ANGLES: ± 2°
FRACTIONS: ± 0.4mm
UNLESS OTHERWISE STATED

THIS DOCUMENT IS THE PROPERTY
OF ABSOPULSE ELECTRONICS LTD.
ITS CONTENTS ARE PROPRIETARY AND
MAY NEITHER BE COPIED, REPRODUCED
NOR ITS CONTENTS DISCLOSED TO OTHERS
WITHOUT PRIOR WRITTEN AGREEMENT
FROM ABSOPULSE ELECTRONICS LTD.

Title: OUTLINE DRAWING
Model No: 3U2 CHASSIS MOUNT PACKAGE

ABSOPULSE