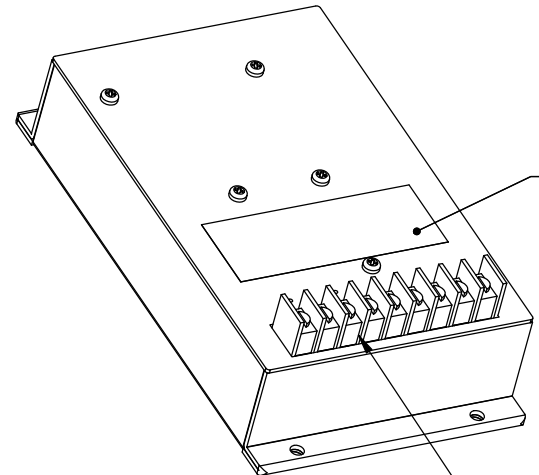
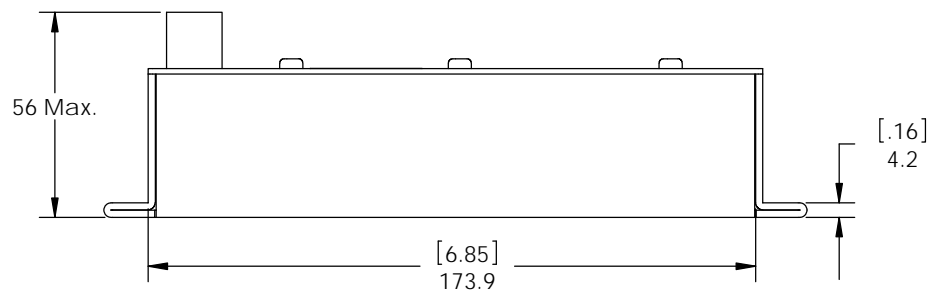


Ø5.4 MTG. HOLES 4 PLCS.



PRODUCT ID. & TERMINALS / LOGO LABEL

SINGLE ROW BARRIER TYPE TERMINAL



CASE MATERIAL: ALUMINUM
 FINISH: CLEAR IRIDITE AS PER MIL-C-554E CLASS 3
 THE UNIT IS POTTED WITH SILICONE COMPOSITE POTTING COMPOUND

DIMENSIONS ARE IN MILLIMETERS
 TOLERANCES ON
 DECIMALS: XXX ± 0.2mm
 XX ± 0.3mm
 ANGLES: ± 2°
 FRACTIONS: ± 0.4mm
 UNLESS OTHERWISE STATED

THIS DOCUMENT IS THE PROPERTY
 OF ABSOPULSE ELECTRONICS LTD.
 ITS CONTENTS ARE PROPRIETARY AND
 MAY NEITHER BE COPIED, REPRODUCED
 NOR ITS CONTENTS DISCLOSED TO OTHERS
 WITHOUT PRIOR WRITTEN AGREEMENT
 FROM ABSOPULSE ELECTRONICS LTD.

Title:	OUTLINE DRAWING
Part of:	P300

