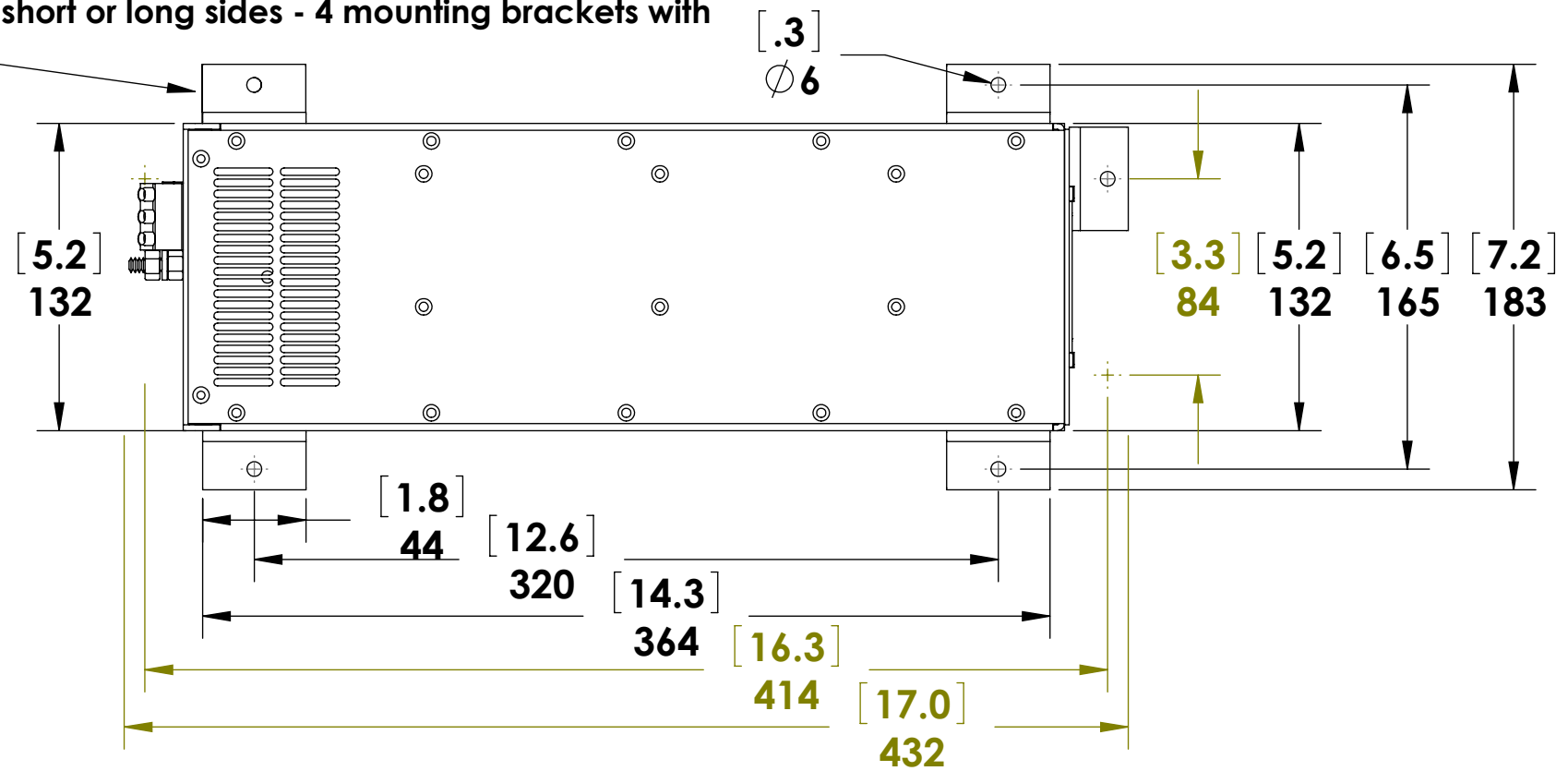
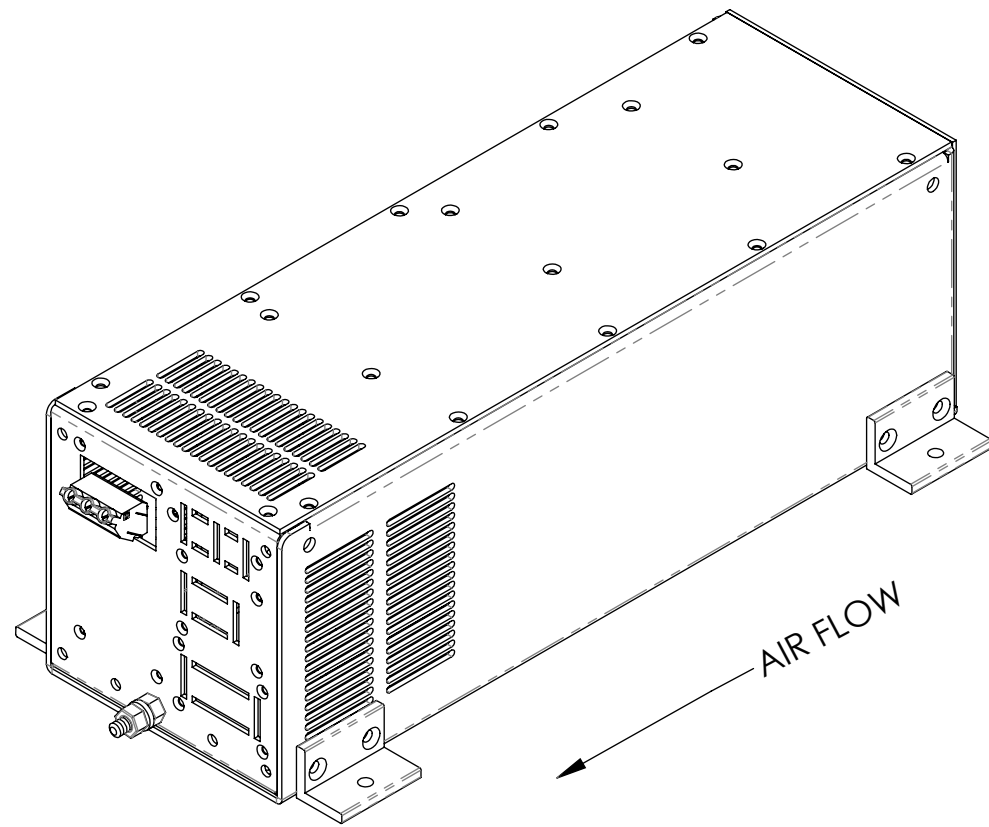
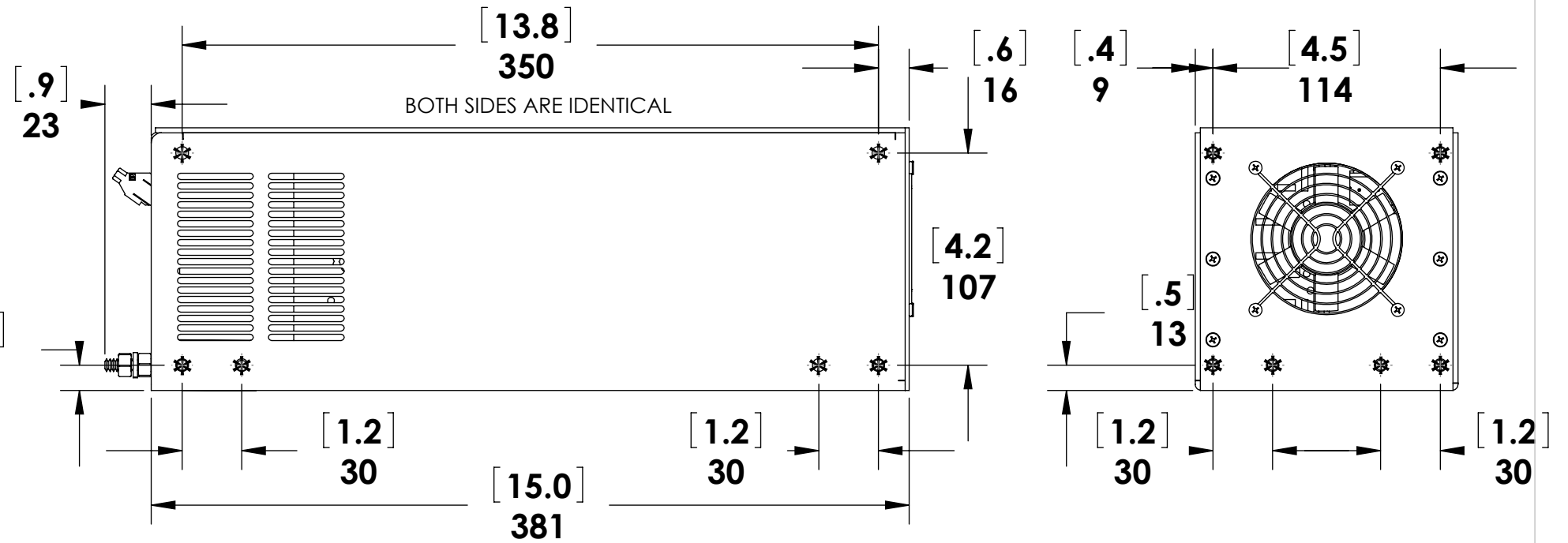
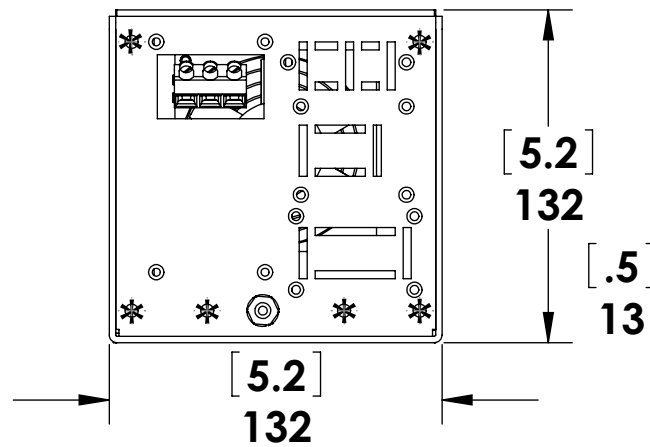


Mounting brackets can be installed along short or long sides - 4 mounting brackets with fasteners are provided with the unit



Type of Input / Output terminations are depends on application



M5 Threaded inserts for mounting brackets or for alternative mounting options
Maximum screw penetration is 10mm from outside surface of chassis

| REV | DESCRIPTION: | DATE |
|-----|--------------|------------|
| A | NEW ISSUE | 04/11/2014 |

EDGES & HOLES DEBURRED
SURFACES FREE OF SCRATCHES

DIMENSIONS ARE IN INCHES
TOLERANCES ON
DECIMALS: XXX ± 0.008"
 XX ± 0.012"
ANGLES: ± 2°
FRACTIONS: ± 1/64"
UNLESS OTHERWISE STATED

THIS DOCUMENT IS THE PROPERTY
OF ABSOPULSE ELECTRONICS LTD.
ITS CONTENTS ARE PROPRIETARY AND
MAY NEITHER BE COPIED, REPRODUCED
NOR ITS CONTENTS DISCLOSED TO OTHERS
WITHOUT PRIOR WRITTEN AGREEMENT
FROM ABSOPULSE ELECTRONICS LTD.

| | | | |
|---------------------------------------|-------------|--------------|-----------|
| Title: OUTLINE DRAWING | | | |
| Part of: 3U2 CHASSIS MOUNT PACKAGE | | | |
| Drawn by: J.X. | Checked by: | Approved by: | Revision: |

| | |
|-----------------------|------------------------------|
| ABSOPULSE | |
| Date: NOV.04, 2014 | Drawing No: ODR XXXXXX |