

2U x 19" Heavy-duty Stainless Steel Cradle for Four M3512 Modules CR 2U/19-3



Product description

The cradle is designed to fit into a standard 2U x 19" space. It is made of high quality stainless steel to ensure its rigidity under the weight of the modules. Plastic side guards and Lexan® bottom protectors allow for easy insertion of ABSOPULSE standard M3512 modules. The modules are fitted with matching aluminum front panels. The tray is equipped with a slide-in lock, which prevents the vertical movement of the modules.

Material

Stainless steel

Weight

4.3kg (9.5 lb.)

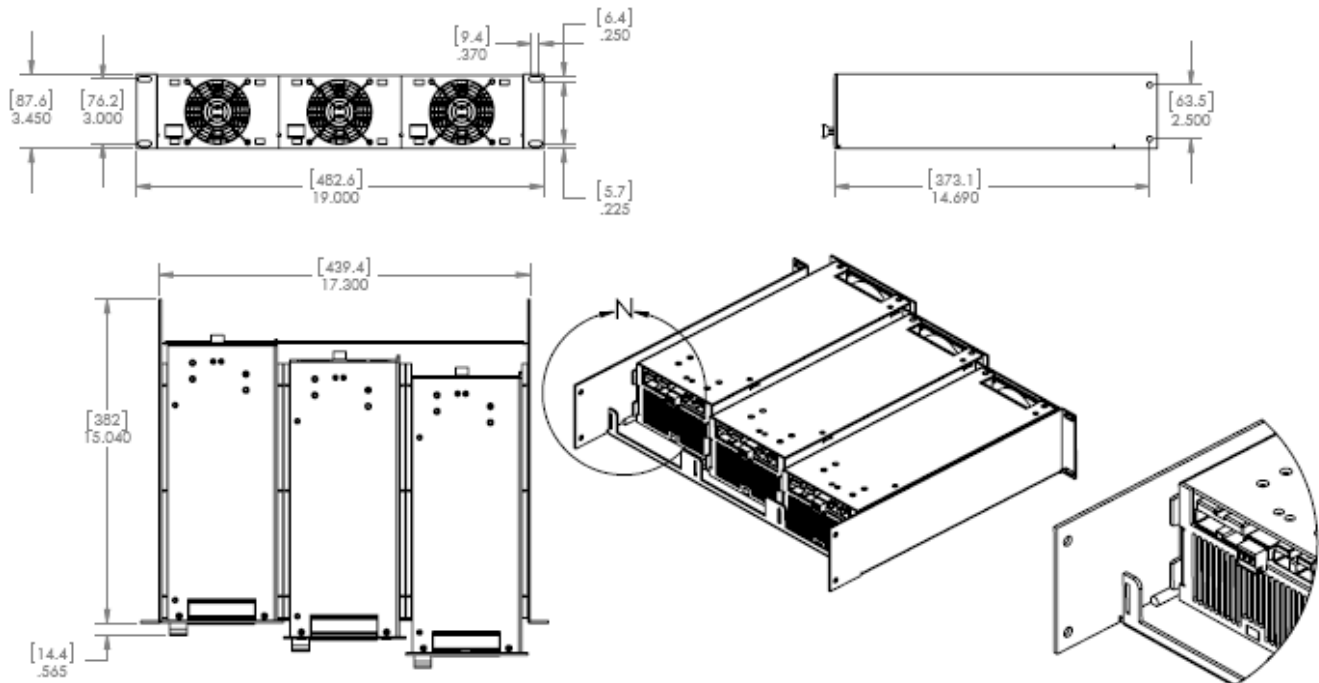


Photo: M3512 Modules



Photo:
CR2U/19-3 Cradle fully loaded with four M3512 Modules
Modules are not included

Enhancements to these general specifications and customizing can be accommodated upon request. Specifications are subject to change.

Designer and manufacturer of quality converters, inverters, UPS systems, complete rack-mount systems and DC-input fluorescent lamp inverters since 1982. Custom or standard. Absopulse is a BABT-approved Facility

ABSOPULSE
ELECTRONICS LTD.

ABSOPULSE ELECTRONICS LTD
110 Walgreen Road, Ottawa, Ontario. K0A 1L0 CANADA
Tel: +1-613-836-3511 | Fax: +1-613-836-7488
E-mail: absopulse@absopulse.com | <http://www.absopulse.com>