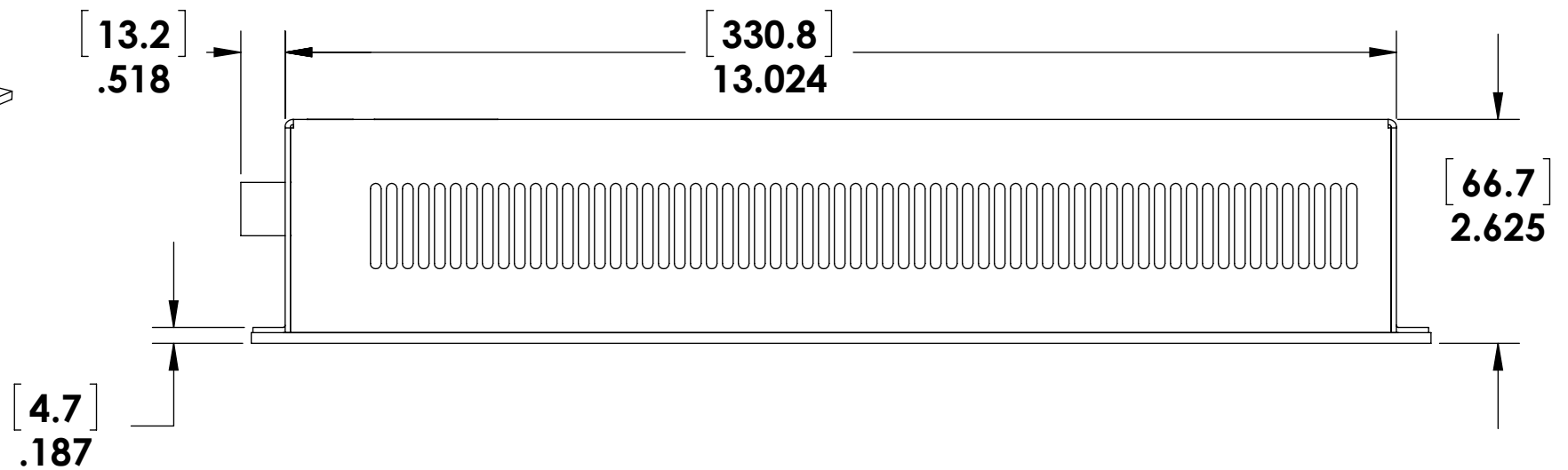
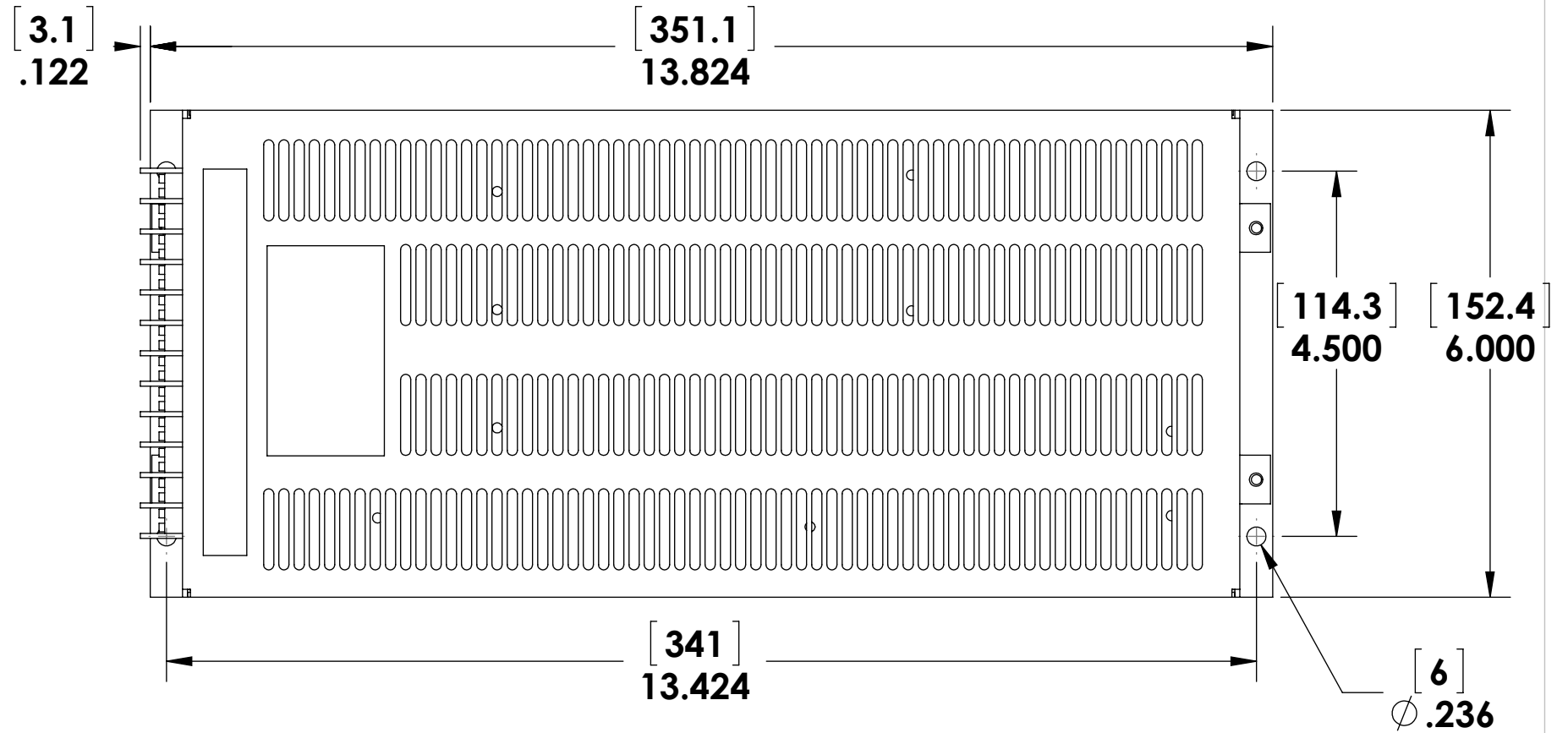
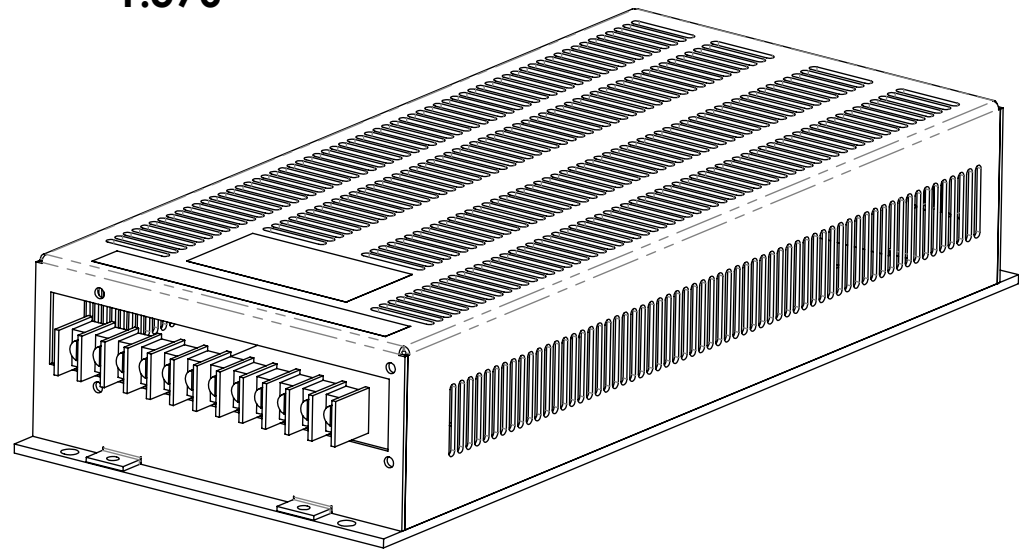
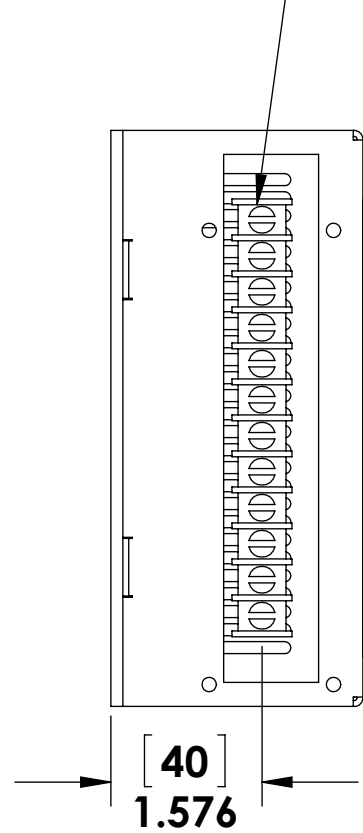


12 Pole single row barrier type of terminal with 3/8" spacing.



REV	DESCRIPTION:	DATE	MUST BE RoHS COMPLIANT	DIMENSIONS ARE IN INCHES TOLERANCES ON DECIMALS: XXX ± 0.008" XX ± 0.012"	THIS DOCUMENT IS THE PROPERTY OF ABSOPULSE ELECTRONICS LTD. ITS CONTENTS ARE PROPRIETARY AND MAY NEITHER BE COPIED, REPRODUCED NOR ITS CONTENTS DISCLOSED TO OTHERS WITHOUT PRIOR WRITTEN AGREEMENT FROM ABSOPULSE ELECTRONICS LTD.	Title: OUTLINE DRAWING			ABSOPULSE	
A	NEW ISSUE	12/03/13		ANGLES: ± 2° FRACTIONS: ± 1/64" UNLESS OTHERWISE STATED		Part of: FX PACKAGE			Date: MAR.12.13	
			EDGES & HOLES DEBURRED SURFACES FREE OF SCRATCHES			Drawn by: B.Z.	Checked by:	Approved by:	Revision: 1	Drawing No: MDR XXXXXXXX