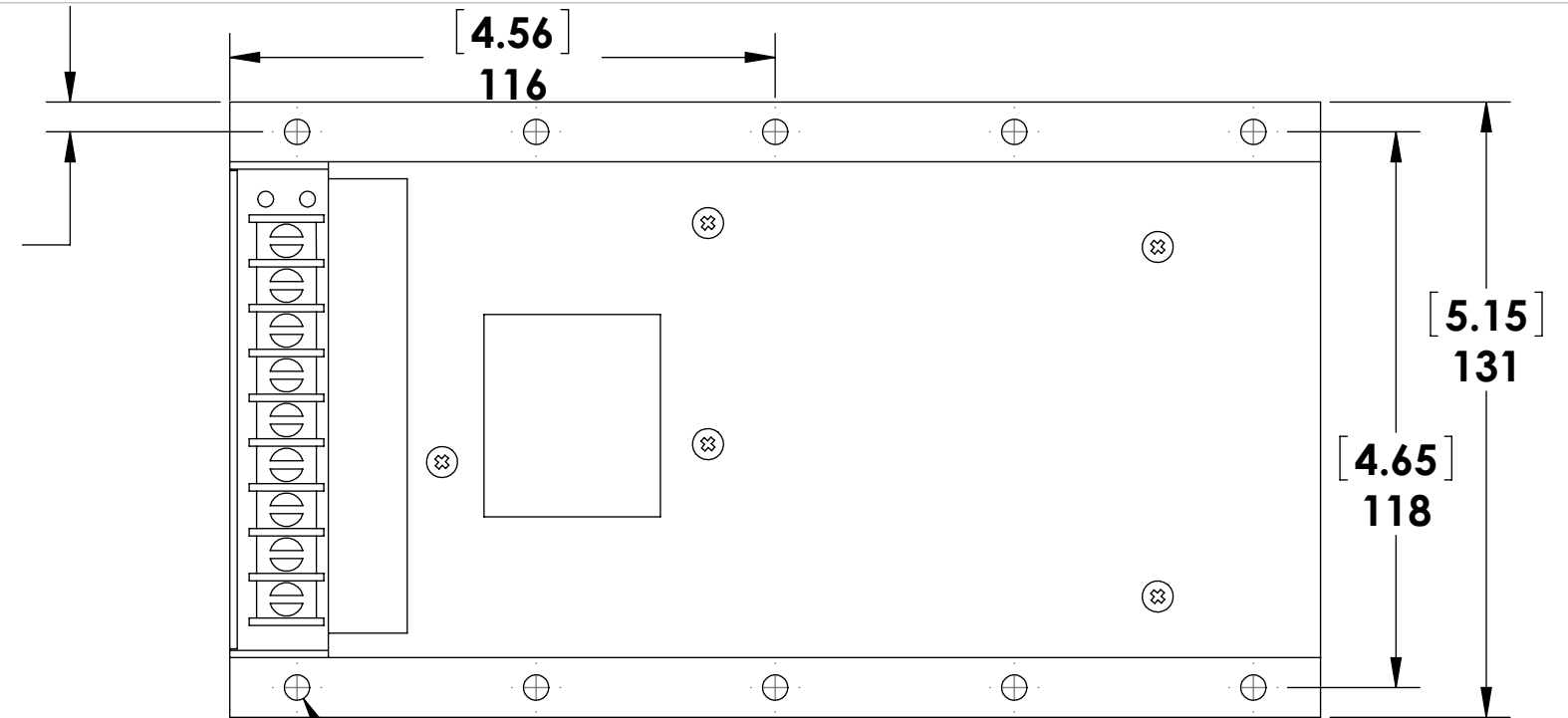
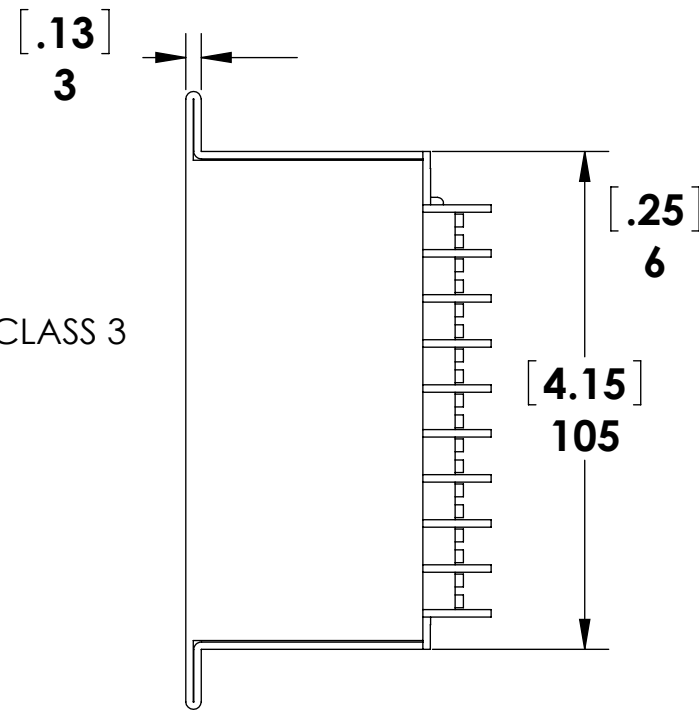
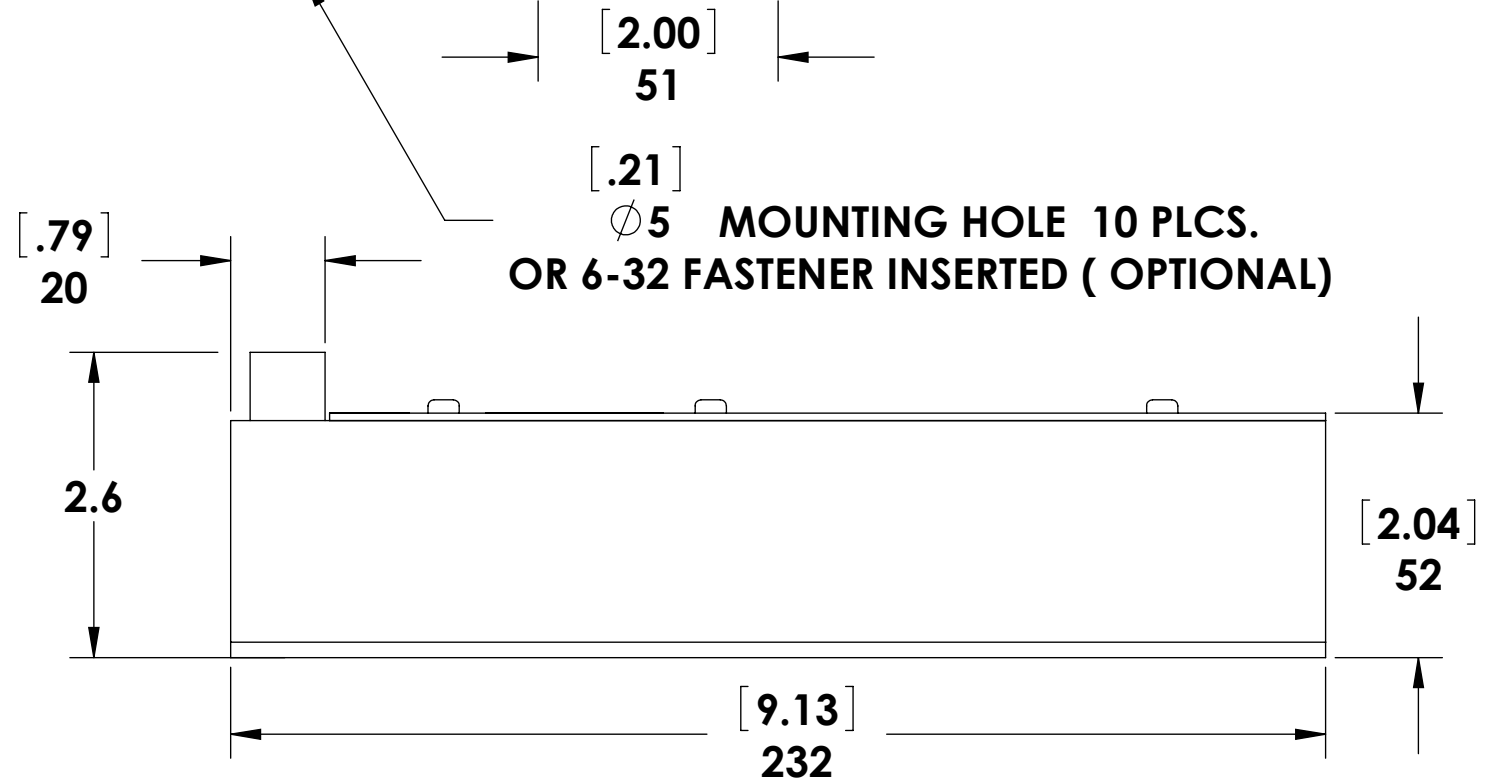
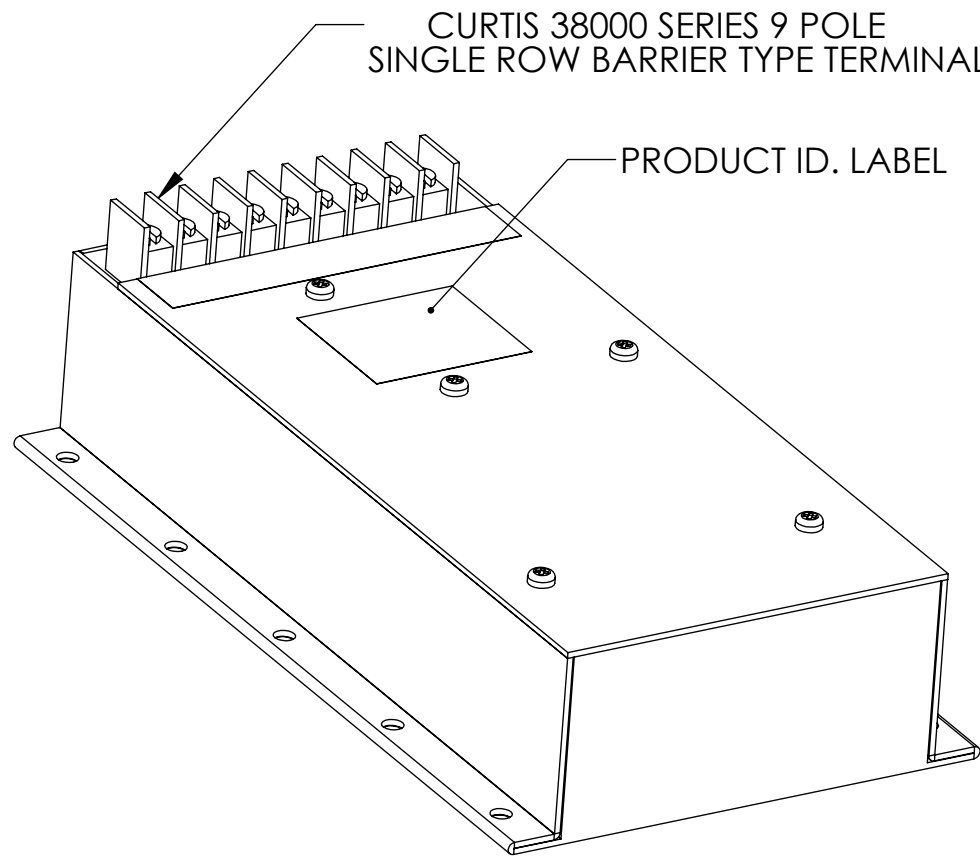


CASE MATERIAL: ALUMINUM 5052-H32
 FINISH: CLEAR IRIDATE AS PER MIL-C-5541E CLASS 3
 THE UNIT IS POTTED WITH SILICONE BASED
 POTTING COMPOUND



CURTIS 38000 SERIES 9 POLE
 SINGLE ROW BARRIER TYPE TERMINAL

PRODUCT ID. LABEL



REV	DESCRIPTION:	DATE
A	NEW ISSUE	04/11/2014

EDGES & HOLES DEBURRED
 SURFACES FREE OF SCRATCHES

DIMENSIONS ARE IN INCHES
 TOLERANCES ON
 DECIMALS: XXX ± 0.008"
 XX ± 0.012"
 ANGLES: ± 2°
 FRACTIONS: ± 1/64"
 UNLESS OTHERWISE STATED

THIS DOCUMENT IS THE PROPERTY
 OF ABSOPULSE ELECTRONICS LTD.
 ITS CONTENTS ARE PROPRIETARY AND
 MAY NEITHER BE COPIED, REPRODUCED
 NOR ITS CONTENTS DISCLOSED TO OTHERS
 WITHOUT PRIOR WRITTEN AGREEMENT
 FROM ABSOPULSE ELECTRONICS LTD.

Title: OUTLINE DRAWING			
Part of: P400 Package			
Drawn by: J.X.	Checked by:	Approved by:	Revision:

ABSOPULSE	
Date:	NOV.04, 2014
Drawing No:	ODR XXXXXXX